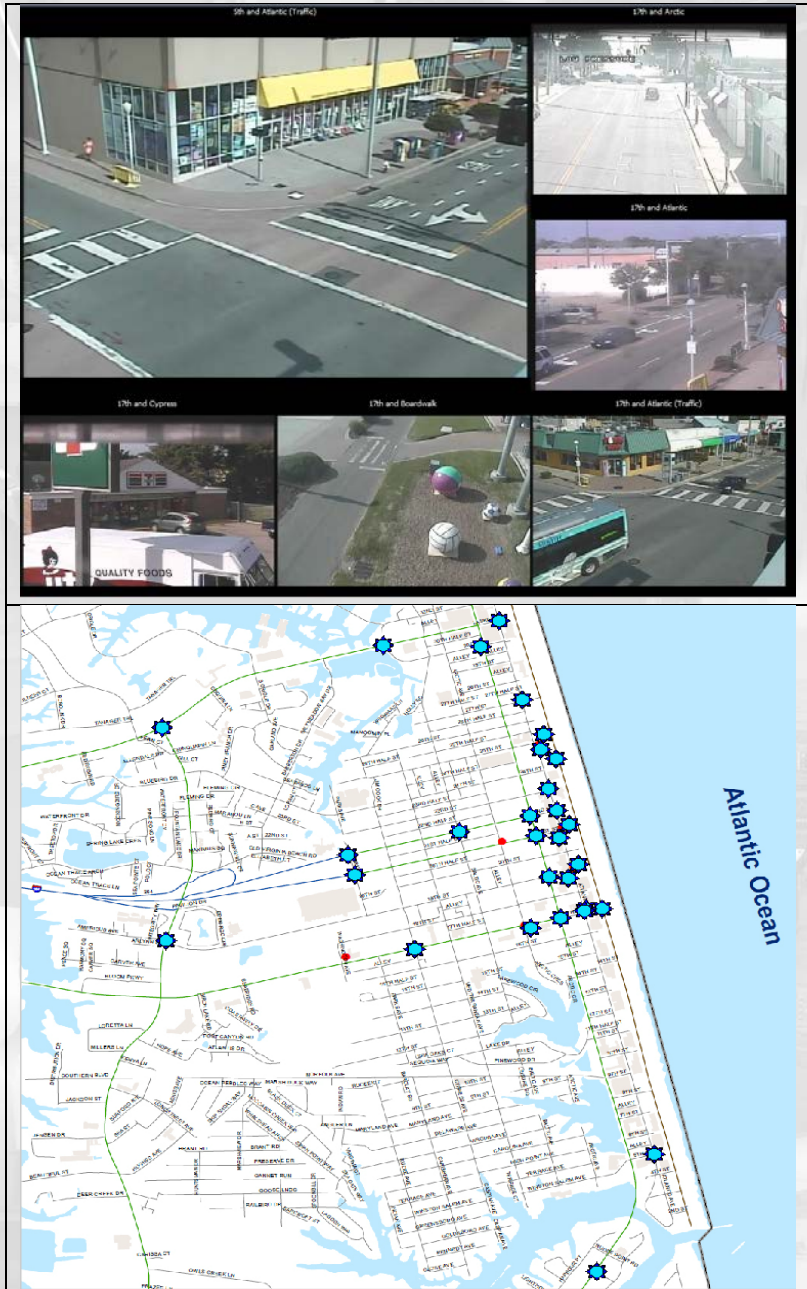


April/May/June – 2014

Oceanfront Camera Network, College Weekend, City of Virginia Beach Oceanfront, April 25-27, 2014



In preparation for the first large beach event of the year, City of Virginia Beach Police asked to get resort area video. This video would be used as a force multiplier.

In providing assistance for the police request, Traffic Management Operations staff: replaced and programmed all the camera encoders; performed preventive maintenance on all police camera cabinets.

The Oceanfront Camera network consists of 12 existing traffic cameras and 19 Police Department cameras. All of the cameras have pan-tilt-zoom capability.

ComIT Department integrated all of the cameras into the city wide camera management network. This allows other city agencies (1st Responders, 911 Dispatch, etc.) access to the video.

New Vehicle Detection Test, Gridsmart Camera Installation at Damneck Road/Holland Road Intersection, May 2014

In an effort to obtain more information from video detection cameras, staff did a test site installation of the Gridsmart camera system. This system not only provides vehicle detection, but also performs turning movement counts and pan-tilt video.



Quad view of the intersection

- A fish eye view available
- All views captured from 1 camera

Realtime Data						
	Phases					
Now	1	2	3	4	5	6
Green Time	00:00	00:00	00:00	00:19	00:00	00:00
Occupancy	6	5	16	8	3	0
Last 15						
Green Time	01:23	06:05	01:56	02:04	01:07	06:20
Greens Received	7	7	7	7	7	7
Volume	41	1	19	148	52	45
% Arrivals On Green	26	37	30	24	28	55
Occupancy Time	12:48	10:09	27:20	19:09	12:42	14:05
Last Hour						
Green Time	05:15	22:35	08:09	09:35	04:34	23:03
Greens Received	29	30	29	29	30	30
Volume	127	6	90	635	184	193
% Arrivals On Green	20	34	29	30	24	50
Occupancy Time	44:55	44:47	50:59	14:16	52:26	58:14

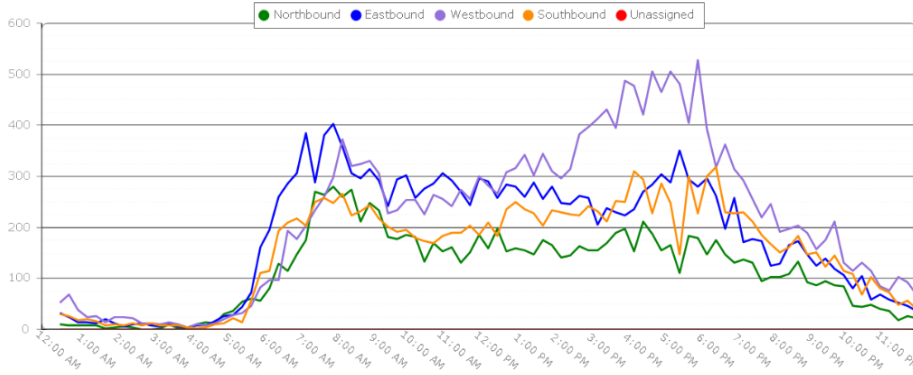
Real Time Data Display
Displays of real time traffic data (i.e. green time, volume, occupancy)



Turning Movement Counts

Intersection: Dam Neck Road & Holland Road
Date: Wednesday, June 18, 2014

	Right	Through	Left	UTurn	Total
Northbound	2155	7147	1686	0	10988
Southbound	2938	6732	4990	52	14712
Eastbound	1	15369	2039	0	17409
Westbound	3255	15620	1793	2	20670
Unassigned	0	0	0	0	0
Total	8349	44868	10508	54	63779



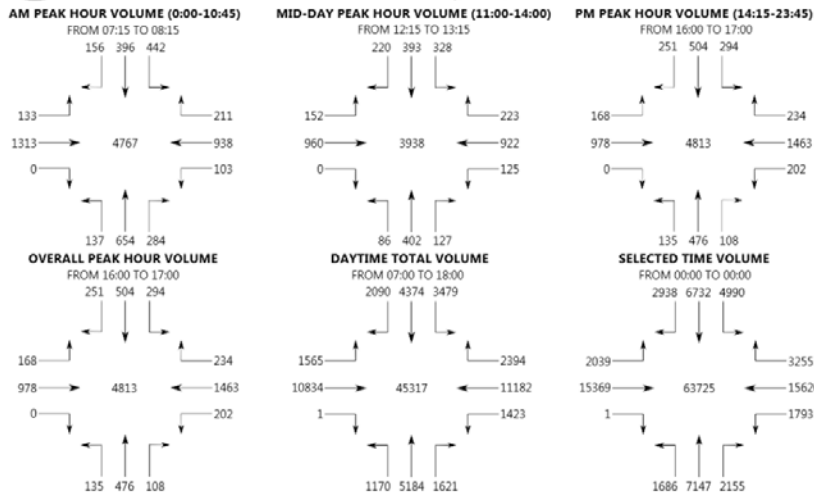
Turn Movement Count Graphs

- Useful feature
- Accuracy verified



Turning Movement Counts

Intersection: Dam Neck Road & Holland Road
Date: Wednesday, June 18, 2014



Turn Movement Count Diagram

The multi-function capability of these units (turn movement counts, real-time intersection data, directional views of traffic) in addition to vehicle detection offers the potential of great flexibility and control traffic signal infrastructure.

Traffic Management Operations Division Response Information

Some of the vital statistics we address April thru June 2014

- 1. Number of Traffic Counts Scheduled/Completed – 60/60**
- 2. Turning Movement Counts Completed - 6**
- 3. Number of Hits on the Traffic Data Database**
<http://vbgov.ms2soft.com>
 - 725 hits from April thru June 2014
 - 13,449 hits since program inception (July 2009)
- 4. Number of Utility Locate Tickets (Miss Utility) Received/Checked/Marked – 8737/744/701**
- 5. Number of Traffic Signal Preventive Maintenance Actions completed –232**
- 6. Number of Traffic Signal Work Orders Received – 678**
- 7. Number of Traffic Sign Work Orders Completed – 1086**
- 8. Linear feet of Thermoplastic Applied to Roadway – 33,295**